

# Block Party Lounge

---



**poppin.** *workhappy.*

FLAGSHIP SHOWROOM  
16 Madison Square West, 3rd Fl  
New York, NY 10010

FOR MORE LOCATIONS, VISIT  
[poppin.com/showrooms](http://poppin.com/showrooms)

(888) 676-7746  
[sales@poppin.com](mailto:sales@poppin.com)  
[@poppin](https://www.instagram.com/poppin) [#workhappy](https://www.facebook.com/poppin)

Assembles completely without tools, so it moves with your short-term and long-term needs



## BLOCK PARTY LOUNGE

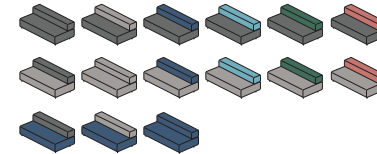
Comfy enough for power naps or marathon work sessions, our Block Party Lounge Collection offers endless arrangements for lunching, lapping, and lounging.

### Bells + Whistles

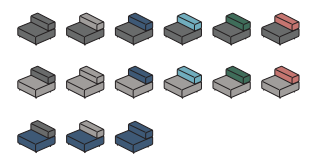
- Clever assembly mechanism allows seat bases to share a back, creating personalized combinations to fit in your space
- Commercial-grade Gabriel Medley textile stands up to holiday parties and hack-a-thons
- Plush seat cushions made of polyurethane foam
- Durable powder-coated steel feet are painted in Poppin orange
- Meets the durability standards for the commercial office industry (BIFMA)
- Designed by Poppin in NYC

### Colors

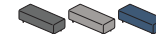
#### SOFA



#### CHAIR



#### BENCH



#### OTTOMAN



#### 40" ROUND OTTOMAN



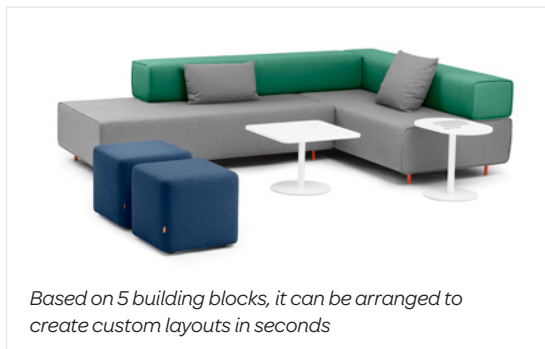
#### 24" ROUND OTTOMAN



Durable woven fabric with cushy polyurethane foam fill

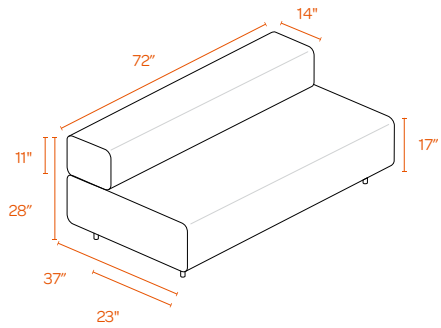


Based on 5 building blocks, it can be arranged to create custom layouts in seconds

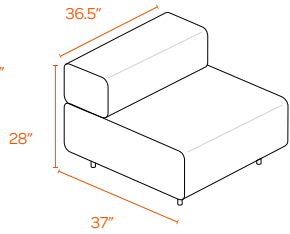


### Contact Us

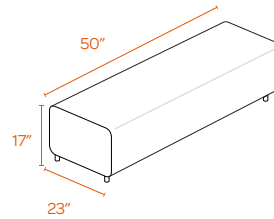
(888) 676-7746    sales@poppin.com    poppin.com/showrooms



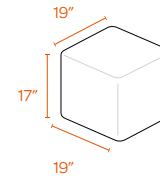
**SOFA**



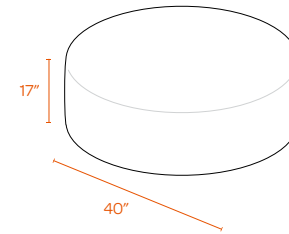
**CHAIR**



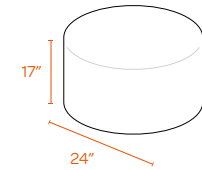
**BENCH**



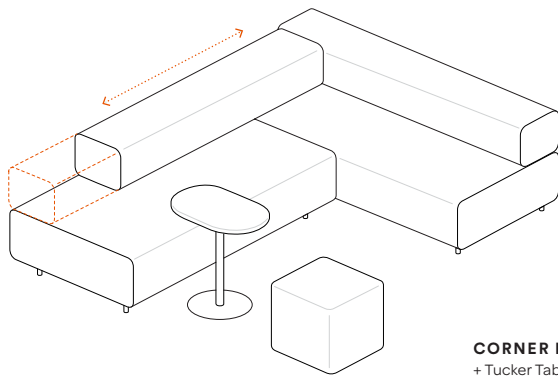
**OTTOMAN**



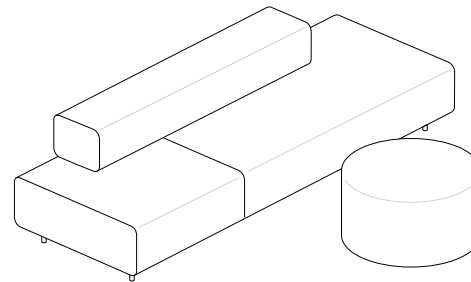
**40" OTTOMAN**



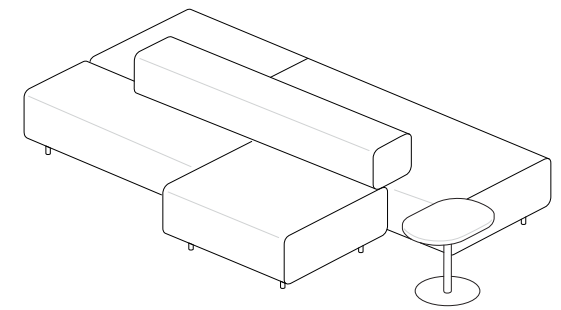
**24" OTTOMAN**



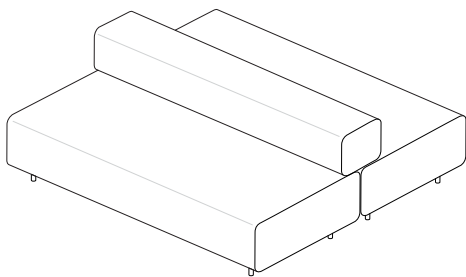
**CORNER LOUNGE**  
+ Tucker Table, Ottoman



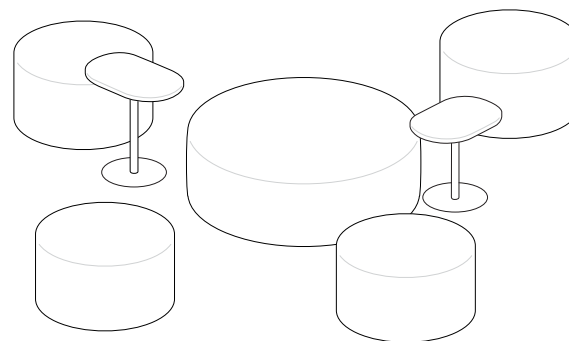
**SHIMMY**  
+ 24" Round Ottoman



**GILLIGAN**  
+ Tucker Table



**BACK IT UP SOFA**



**THE CONSTELLATION**  
+ Tucker Tables

## DIMENSIONS + ARRANGEMENT IDEAS

Our Lounge Collection supports whichever work position works for you. Here are a few of our favorite couplings, but of course we encourage creativity in the boardroom. So go ahead: get away from your desk and slip onto something a little more comfortable.

### Contact Us

(888) 676-7746    sales@poppin.com    poppin.com/showrooms